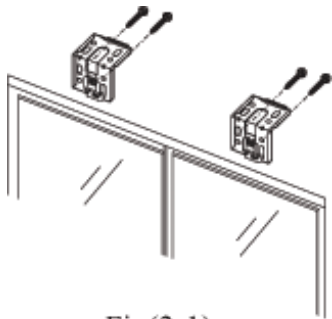
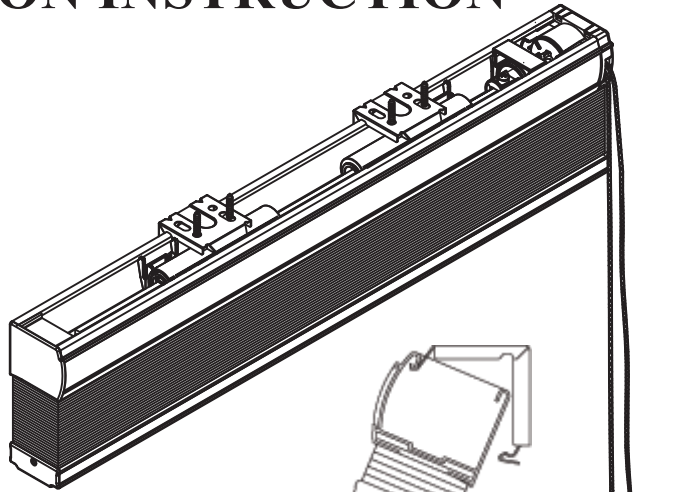


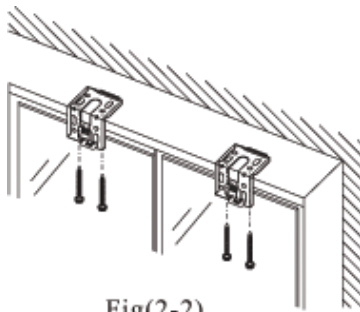
CLUTCH CELLULAR SHADE INSTALLATION INSTRUCTION

Number of parts included for each shade:

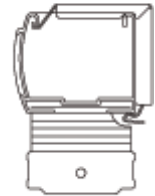
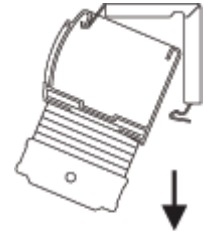
Shade width	# of Brackets	Screw
5 ~ 47.9"	2	4
48" ~ 72.9"	3	6
73" ~ 95.9"	4	8
96" ~ 120.9"	5	10
121" ~ 144"	6	12



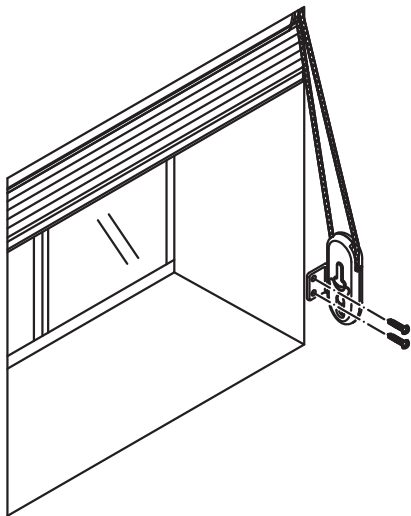
Fig(2-1)



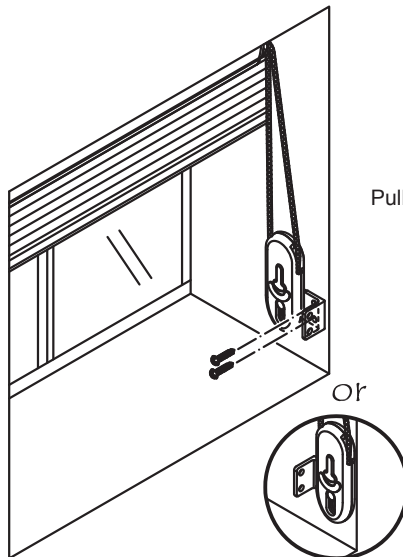
Fig(2-2)



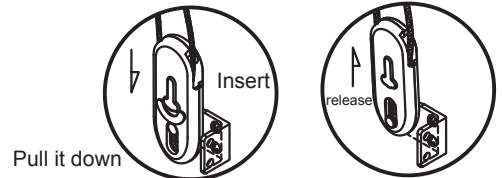
Fig(3)



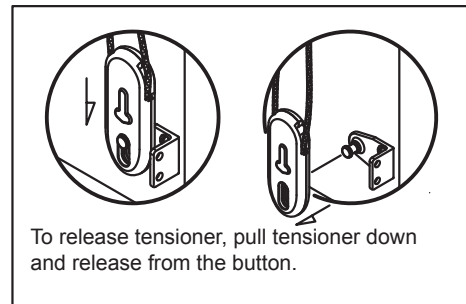
Outside Mount



Inside Mount

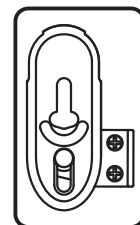


Pull it down

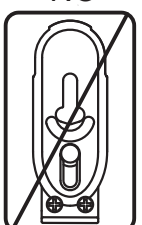


To release tensioner, pull tensioner down and release from the button.

YES



NO



!IMPORTANT NOTE: CORD TENSIONER MUST BE MOUNTED ON THE WALL TO ENSURE SAFE OPERATION.

Please allow 24 hours for your shade to drop to its actual height when first installed due to the nature of the fabric.

Fasten screws on the side not below the tensioner.