



CUT@HOMETM

PLEATED SHADES

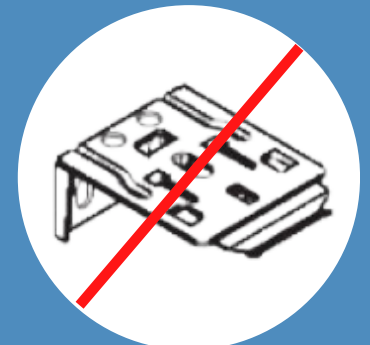
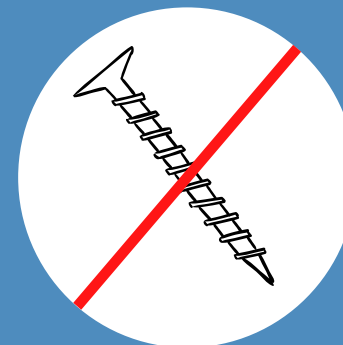
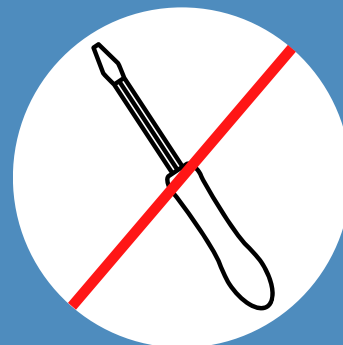
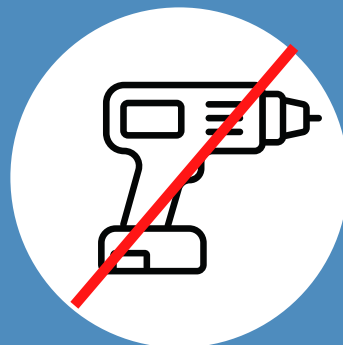
Installation Without Tools

CUT@HOME™

PLEATED SHADE

FEATURES

- Available in light filtering and room darkening
- Protect from harmful UV
- Soften the light
- Maintain privacy
- Reduce the heat
- Easy operation
- Installation without tools



No light leak from the top.

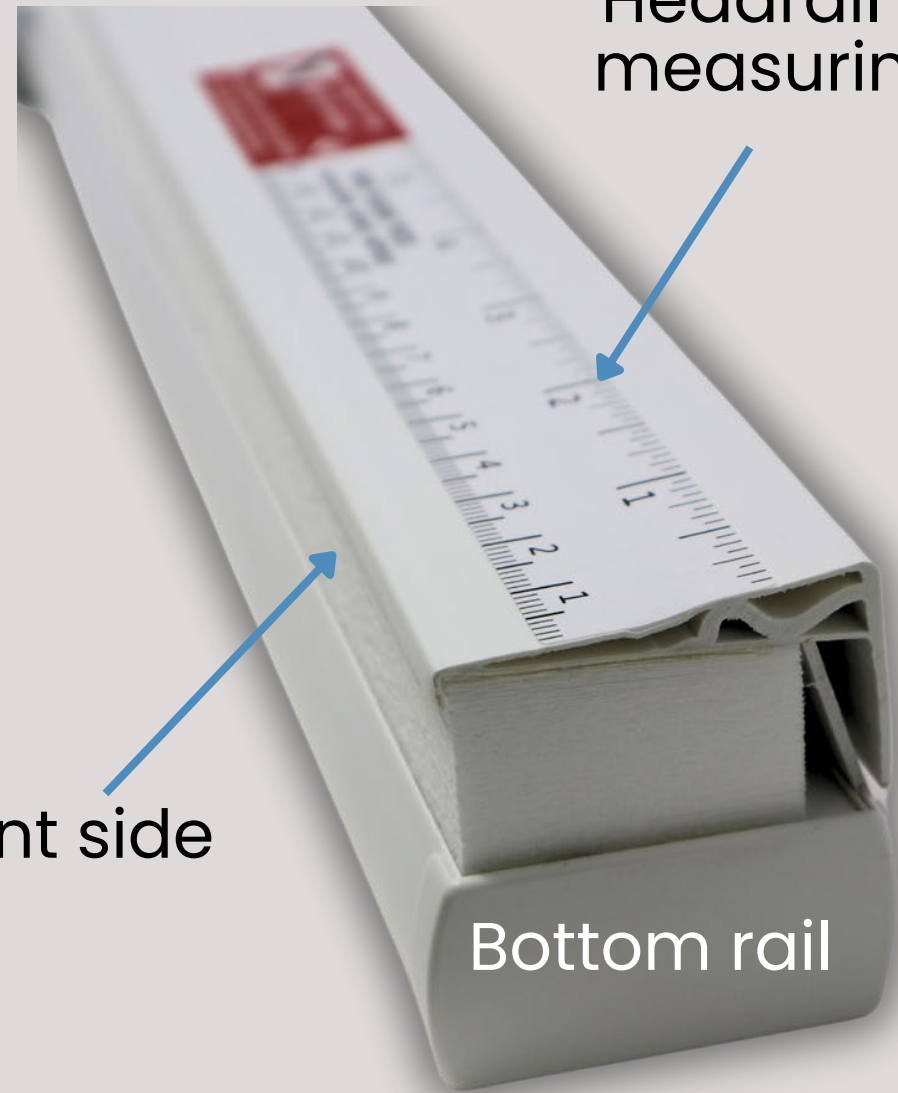


Headrail with the measuring guide

Front side

Back side

Bottom rail



Two color options



White



Fawn

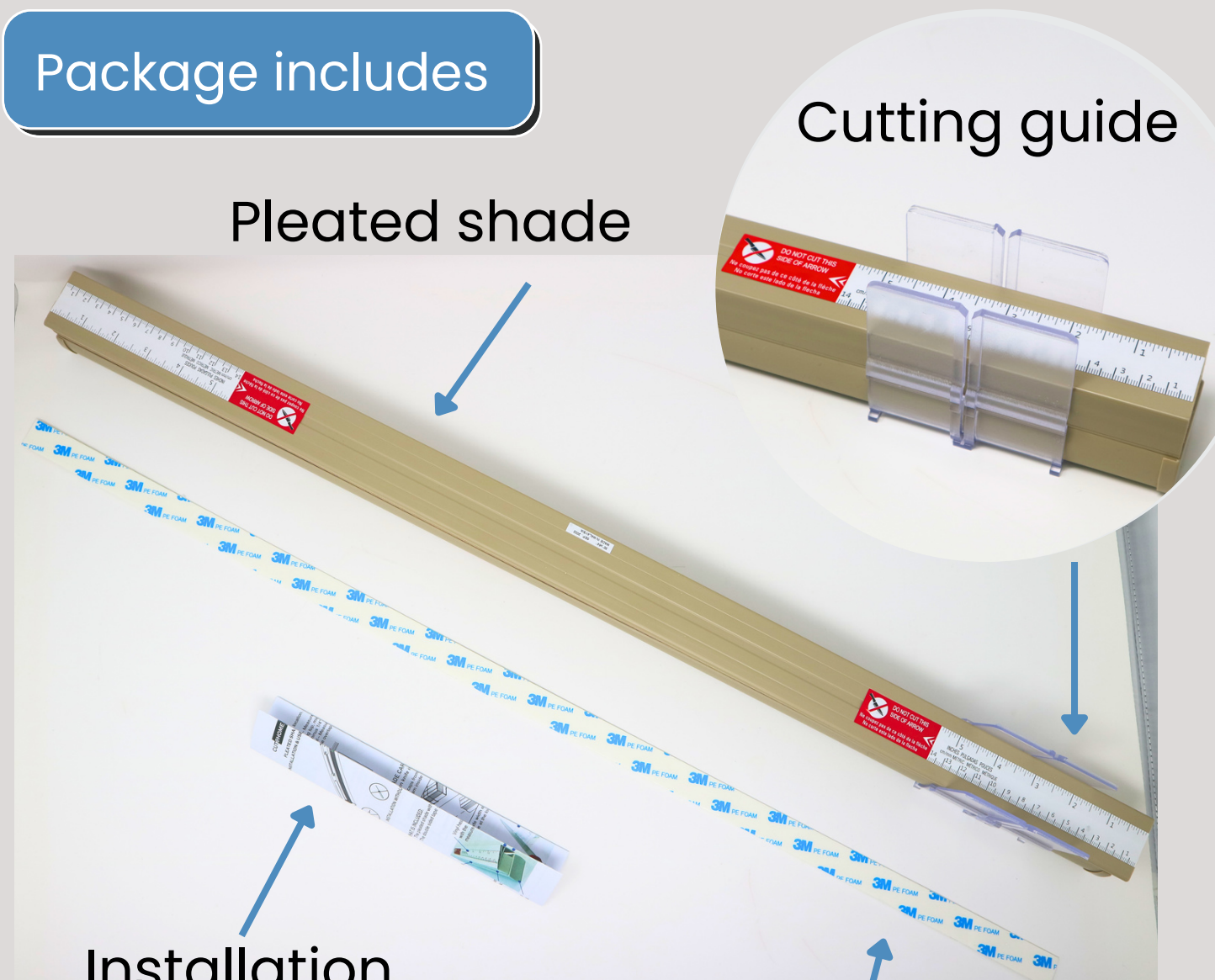
Package includes

Cutting guide

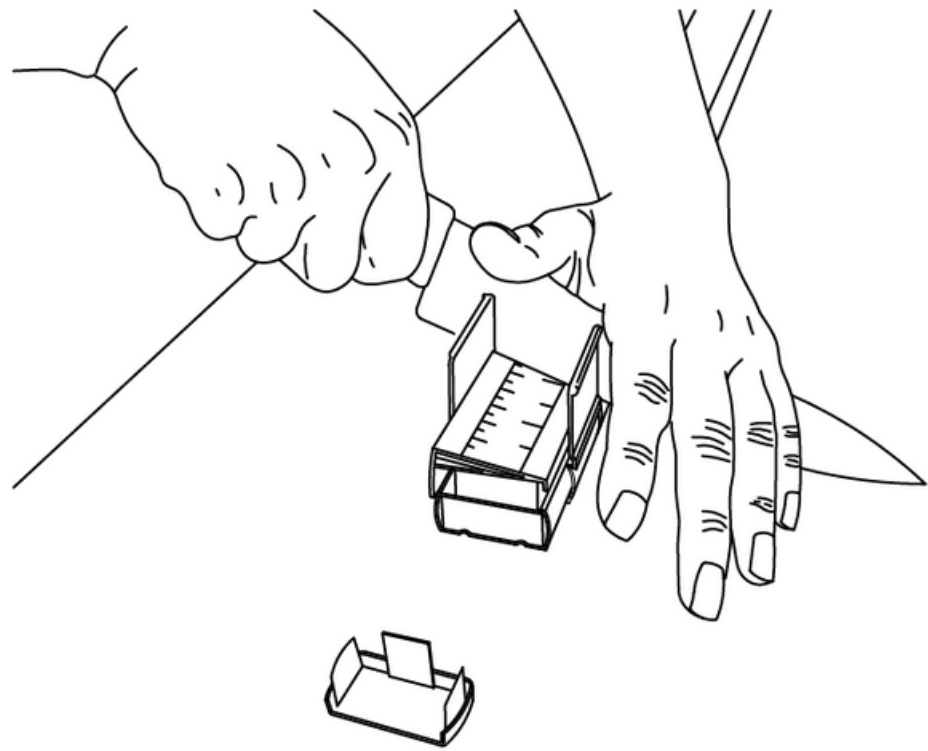
Pleated shade

Installation instructions

Double-sided tape

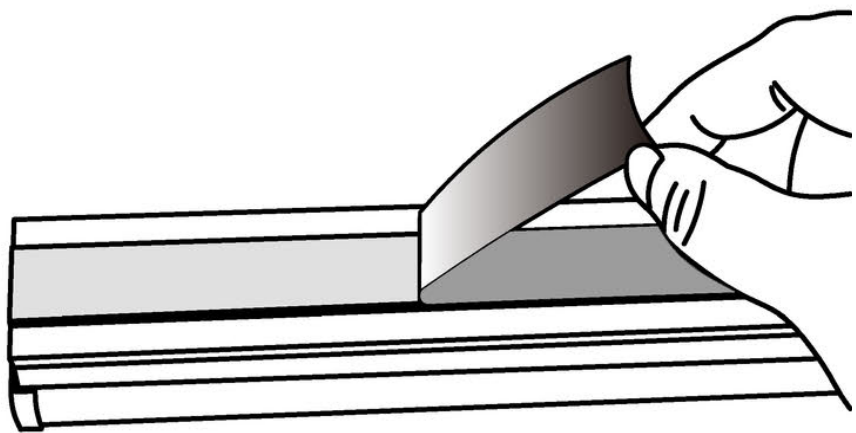


3 EASY STEPS

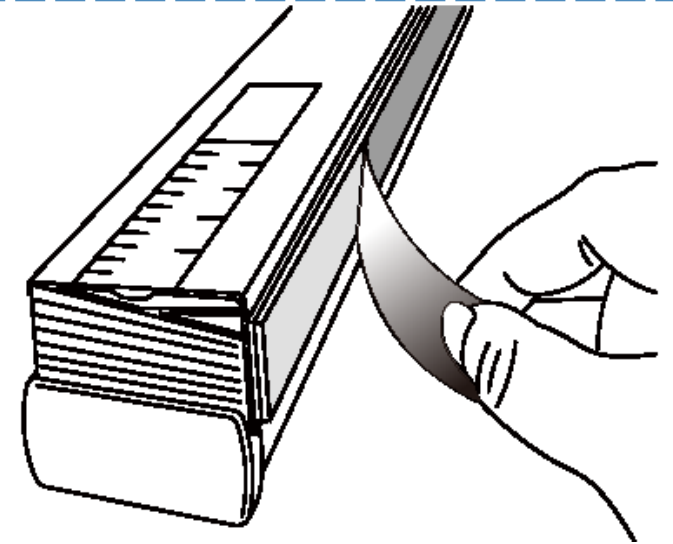


Cut

1. Cut the shade with a sharp knife in a rocking motion carefully. (non-serrated knife works best)

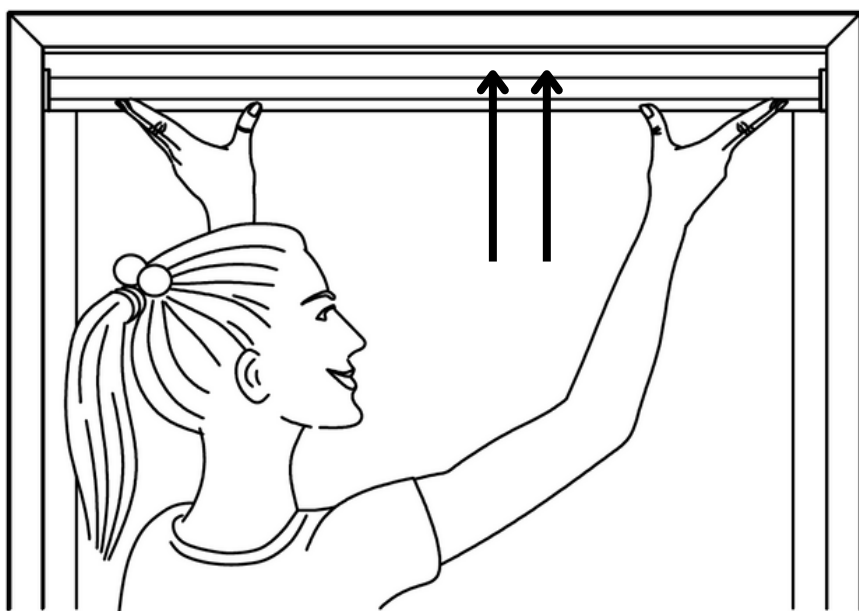


2. Tape the double-sided tape to the top of the headrail.



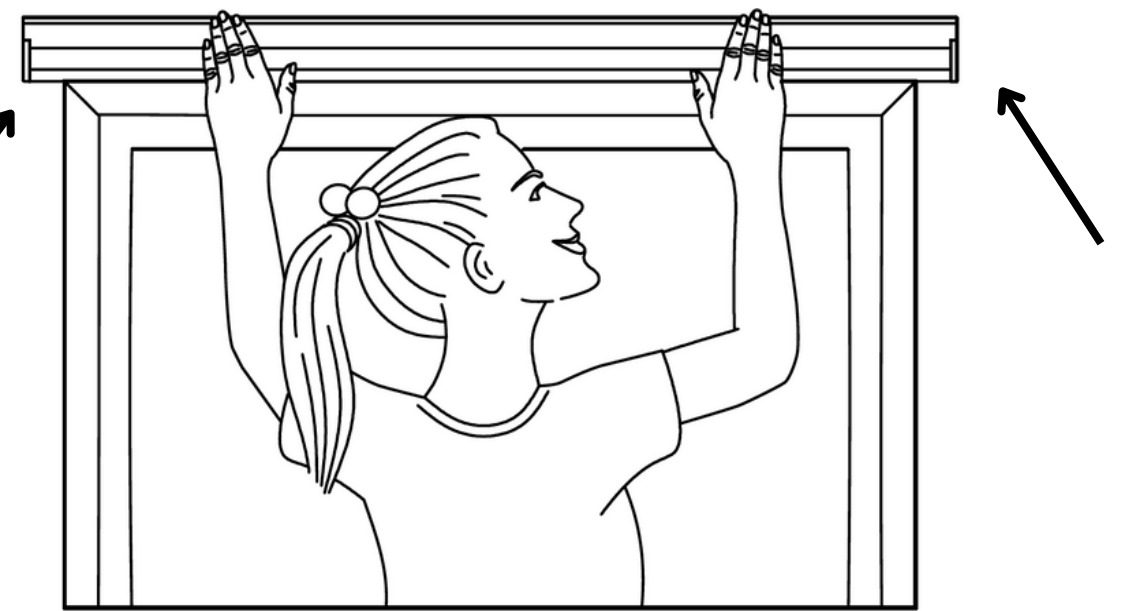
2. Tape the double-sided tape to the backside of the headrail.

Attach



3. Attach the shade to the top of the window frame.

Inside Mount



3. Attach the shade to the wall above the window frame.

Outside Mount

CHOOSE THE RIGHT SHADE SIZE FOR YOUR WINDOW

HEIGHT: All CUT@HOME shade covers up to 64" high.

WIDTH: Use the following chart to choose the right shade width for your window.

If your window width is	Choose shade
between 19" and 30"	30"W x 64"H
between 19" and 36"	36"W x 64"H
between 31" and 48"	48"W x 64"H
between 43" and 60"	60"W x 64"H

