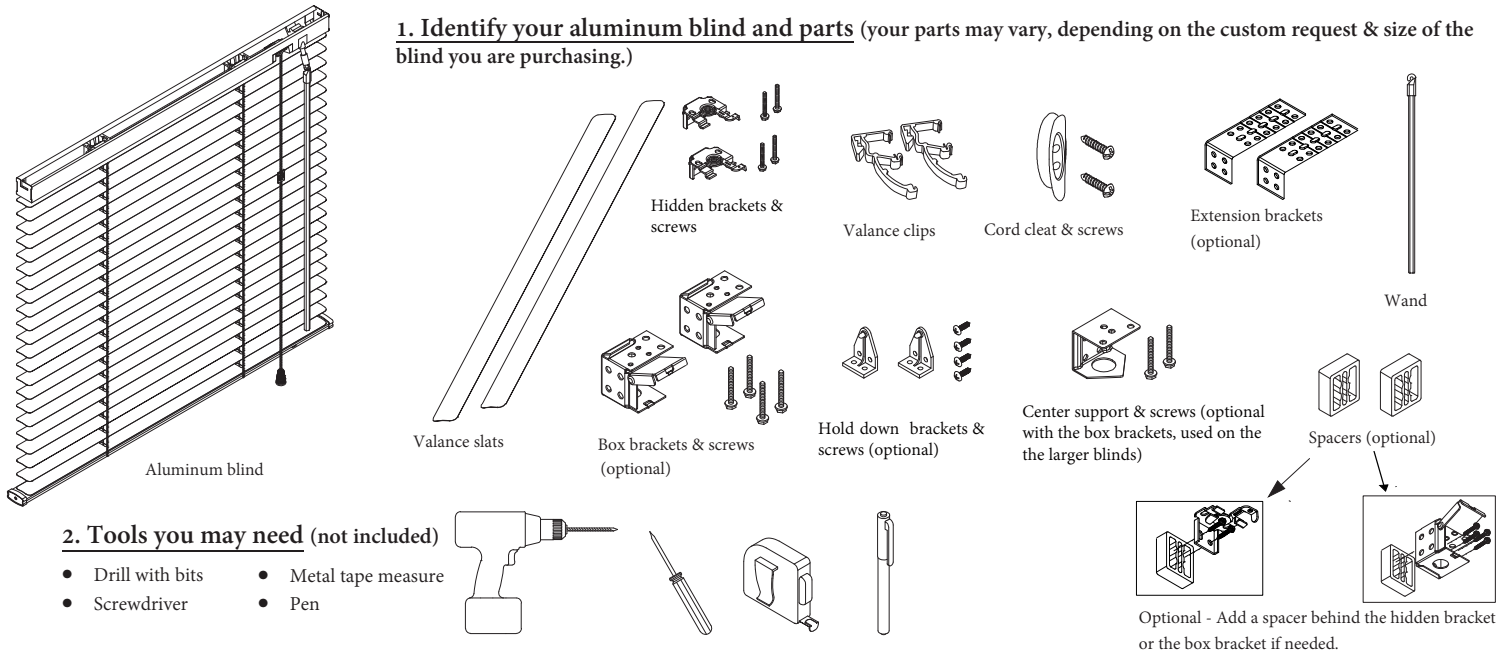


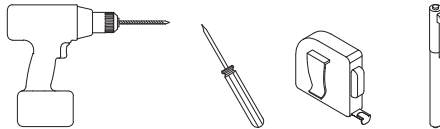
Micro Aluminum Blind Installation and Care Instruction

1. Identify your aluminum blind and parts (your parts may vary, depending on the custom request & size of the blind you are purchasing.)



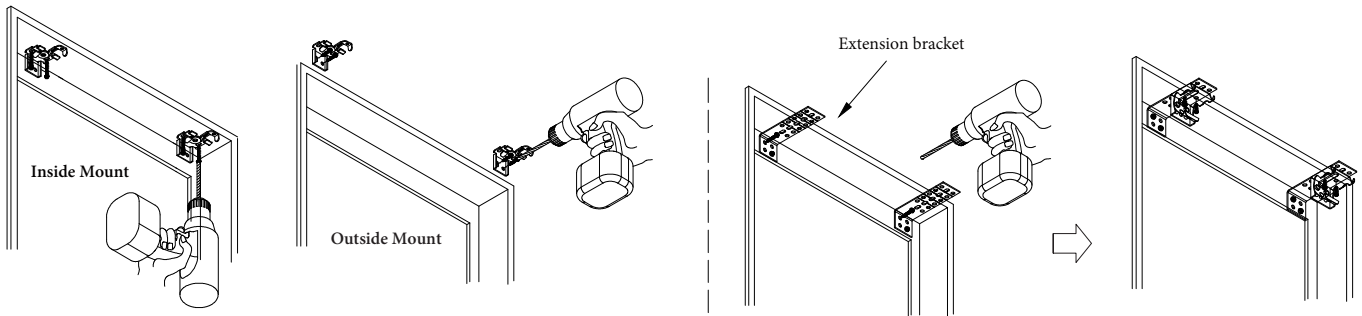
2. Tools you may need (not included)

- Drill with bits
- Metal tape measure
- Screwdriver
- Pen



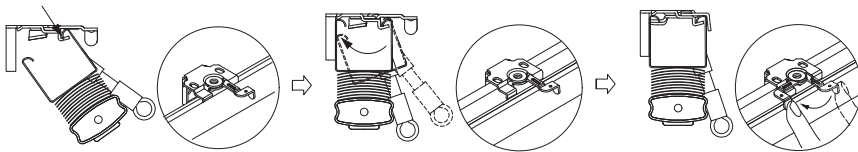
3A. Install the blind with the hidden brackets (or choose to install the blind with the box brackets, refer to step 3B~5B.)

- Mark the bracket locations, making sure the brackets will not interfere with any mechanism or other internal headrail parts. The outermost brackets should be installed about 1/4 inch from each end of the blind. If you have more than 2 hidden brackets, install all remaining brackets towards the center of the blind.
- Install the brackets using the screws (included) and tighten them completely.
- Make sure all brackets are aligned and level with each other.
- Install the blind with the extension brackets (optional)
 - Install the extension bracket with at least 2 screws.
 - Attach the hidden brackets to the extension brackets with the screws.



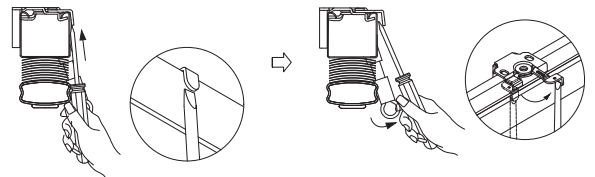
4A. Install the blind

- Unlock the hidden brackets. Hook the front of the blind onto the front of the brackets.
- Push the blind toward the back of the brackets.
- Lock the brackets.



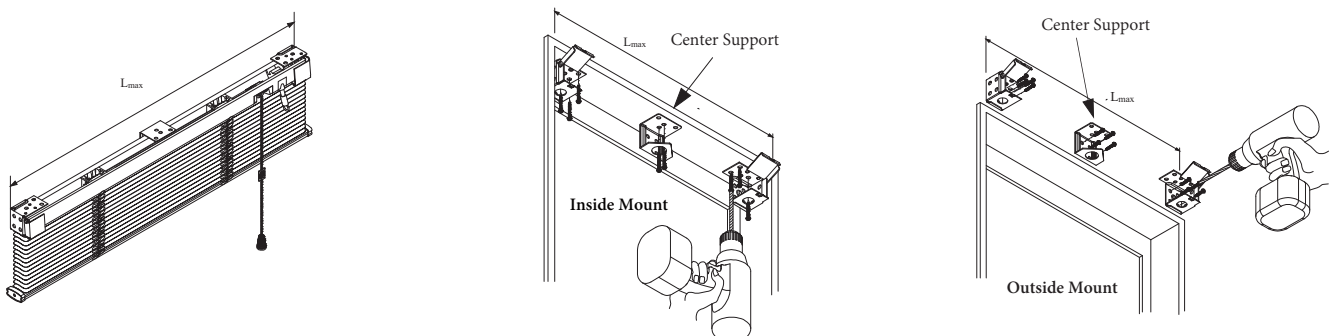
5A. How to remove the blind from hidden brackets

- Unlock the hidden brackets with a flat head screwdriver.



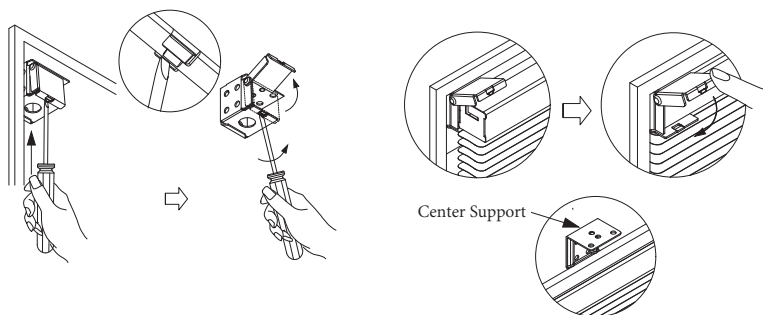
3B. Install the blind with the box brackets (or choose to install the blind with the hidden brackets, refer to step 3A~5A.)

- Install the box brackets at ends of the headrail. Use 2 screws per box bracket.
- One center support is applied when the blind is wider than 48"W, or two center supports for the blind wider than 100"W.
- The spacer is optional and is installed behind the box bracket when needed.



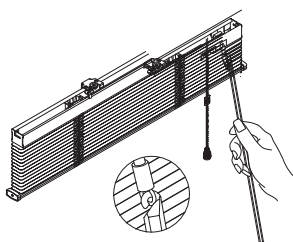
4B. Install the blind

- Unlock the box brackets with a flat head screwdriver.
- Mount the blind in the brackets (use the center support when blind is wider than 48"W)
- Close the door on the bracket and hear a "click".



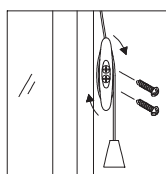
6. Attach the tilt wand

- Attach the tilt wand onto the wand hook located on the headrail.



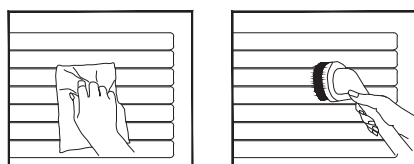
8. Install the cord cleat

- Use 2 included screws and install the cord cleat at your desired height. For safety reasons, keep the cord being unreached by child and pet.
- Always wrap the cord around the cord cleat to keep your cord tight.



10. Care and cleaning

- Wipe the blind periodically with a soft dust cloth or dusting mitt, or vacuum with a soft brush attachment.
- You may clean the blinds using a non-scratched sponge or dampened soft cloth with a mild nonabrasive detergent. Never use hot water, solvents, harsh or abrasive cleansers to clean the blinds.
- Note: The warranty for your blinds does not cover damage caused by improper cleaning.



To Operate Your Blind

Important: Always tilt the slats horizontally before raising or lowering the blind. This step increases the life of the blind.

To Lower Your Blind

Move the cord to left pulling down gently until the cord lock releases. Allow the cord to slip slowly until the blind reaches the desired level. Pull the cord to the right and then release. The blind locks automatically.

To Raise Your Blind

Pull the cord downward until the blind reaches your desired height and then slightly to the right to release the cord. The blind locks automatically.

To Tilt Your Blind

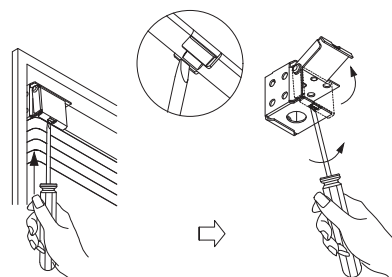
Rotate the wand to attain desired slat position.

Important Note

ALWAYS TIE THE CORD TO CORD CLEAT FOR SAFETY REASONS.

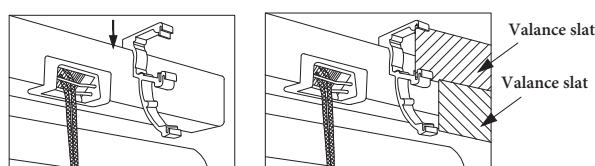
5B. How to remove the blind from the box brackets

- Use a flat head screwdriver to open the door of the box bracket.
- Remove the blind.



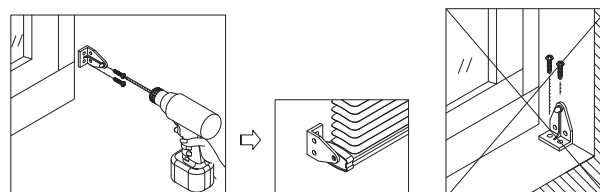
7. To install the valances

- Push the valance clip down onto the headrail until you hear it "clicks" into place.
- Slide the valance slats through the track of the valance clip.



9. Attach the optional hold down brackets

- Install the hold down brackets to the wall (for outside mount) or the jamb of the window frame (for inside mount), not on the sill of the window frame.
- Tighten the screws.



WARNING/ADVERTENCIA

Window blind cord can STRANGLE your child. To prevent strangulation, purchase cordless products or products with inaccessible cords.

La cuerda de la persiana puede ESTRANGULAR a su niño. Para evitar el estrangulamiento, compre alternativas cuerda o productos con cuerdas inaccesibles.