

AUTOMATE™

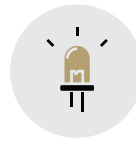
DC Power Distribution Panel

Up to 18 individual motor connections. Efficient installation.
The voltage and current output allow for greater cable lengths from motor to power panel.



RELIABLE, COST EFFECTIVE POWER

Power your Automate DCRF motors from a compact, central location that can service up to 18 motors.



LED STATUS

Easily check each individual motors power status, by viewing the prominent green LED's on the DC Power Panel.



SECURE LOCK

Locking cabinet provides protection from inadvertent or unwanted access to power connections.



DIFFERENT WIRE TYPES

The panel can be used with many different wire types (from 26 to 14 AWG). So any pre-wired installation may readily use DCRF motors and the Power Distribution Panel.



7 YEAR WARRANTY



ARC™ (Automate Radio Communication) is Rollease Acmeda's proprietary technology utilising 433MHz radio communication with bi-directional feedback that brings Automate motorised shading systems together.

A DIVISION OF
**ROLLEASE
ACMEDA**

PRODUCT SPECIFICATIONS

Part #: MT03-0301-411005 DC POWER DISTRIBUTION PANEL

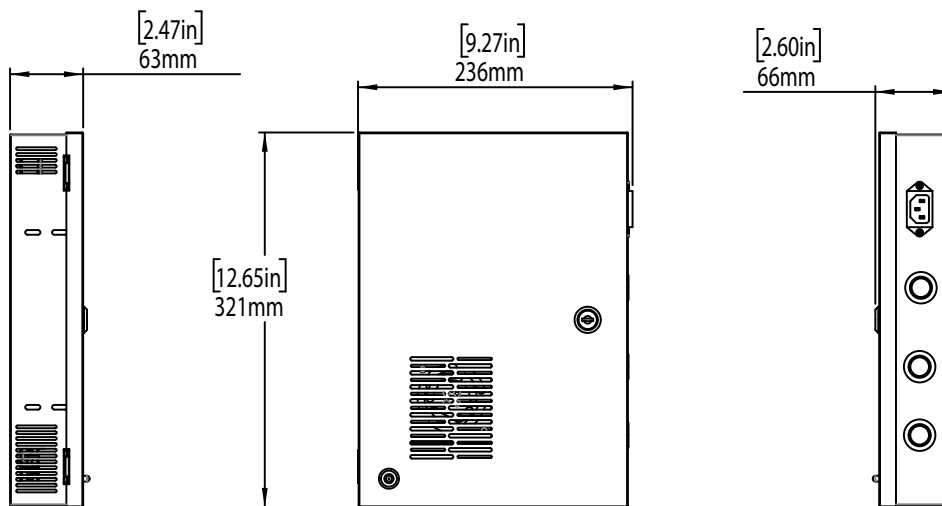
Input Voltage Range	85V AC ~ 125V AC
Output Voltage Range	15 VDC
Maximum Output Current (all 18 channels)	24 A
Power Output Rating	360 W
Single Channel Maximum Current Output	1.33 A
Ingress Protection	IP20

DIMENSIONS

Note:

Up to 18 motors (22mm / 25mm and 28mm)

Up to 9 motors (35mm and 45mm)



WORKS WITH

- AUTOMATE DC Motors

ACCESSORIES (sold separately)

ITEMS INCLUDED



Power Cord
MT03-0304-050007



Harness Connector
MT03-0301-069012



Keys



Screws
x4



Wall Plug
x4



Fuse
x3