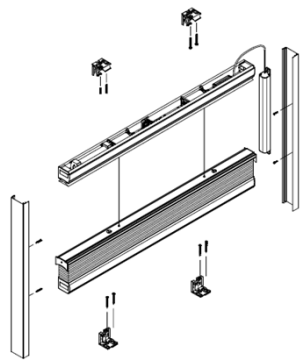


Motorized Skylight Cellular Shades

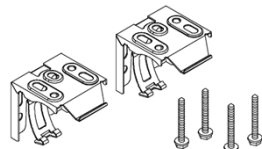
- Installation Guide

Installation

1. Identify your cellular shade and parts (your parts may vary, depending on the custom request & size of the shade you are purchasing.)



Skylight Cellular Shade



Brackets & screws



Remote (reference image)



Reloadable battery tube (includes 8 AA batteries)

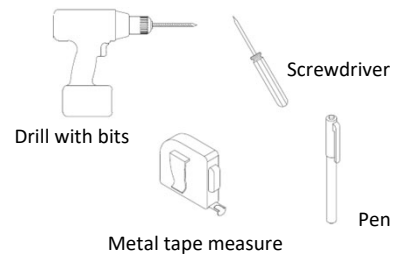
OR



Rechargeable battery pack (includes a charge block and a USB charge cable)

Your choice from the battery tube or rechargeable battery pack.

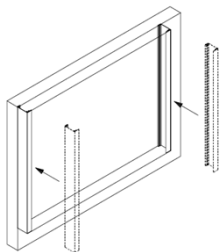
2. Tools you may need (not included)



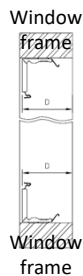
Shade width	Qty of the headrail brackets	Qty of the bottom rail brackets
24" ≤ W < 40"	2	2
40" ≤ W < 60"	3	3

3. Install the brackets

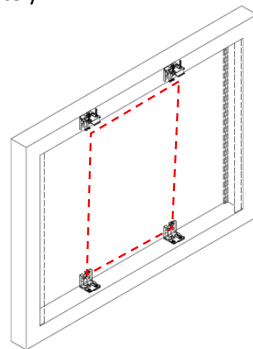
- Located the mounting brackets for the headrail and bottom rail. Make sure all brackets are parallel and perpendicular to each other.
- Mark the bracket locations.
- Install the brackets using screws (included) and tighten them completely.
- Use the side rails to locate the bracket location when needed.



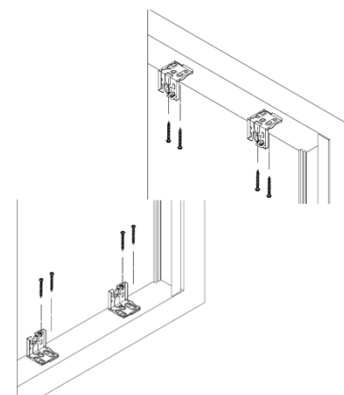
Use the side rails to locate the bracket location when needed.



The brackets are at the same depth.

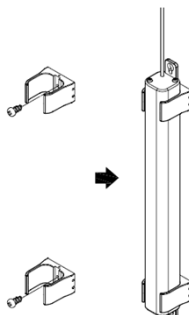


Make sure all brackets are parallel and perpendicular to each other.



4. Install the battery power

- Determine the installed location of the battery.
- NOTE: DO NOT INSTALL THE RECHARGEABLE BATTERY TO WHERE IT MAY EXPOSE TO THE DIRECT SUNLIGHT.**
- NOTE: CHARGE THE RECHARGEABLE BATTERY COMPLETED BEFORE 1ST USE.**
- NOTE: USE THE EXTENSION CORD (ORDER SEPARATELY) TO CONNECT THE MOTOR AND BATTERY WHEN NEEDED.**
- Install the battery brackets with the screws included.
 - Snap the battery to the battery brackets.
 - Follow the installation instruction inside the battery box.
- NOTE: MAKE SURE THE BATTERY IS ATTACHED TO THE PLACE TIGHTLY WHEN YOU MAY OPEN AND CLOSE THE SKYLIGHT WINDOW.**

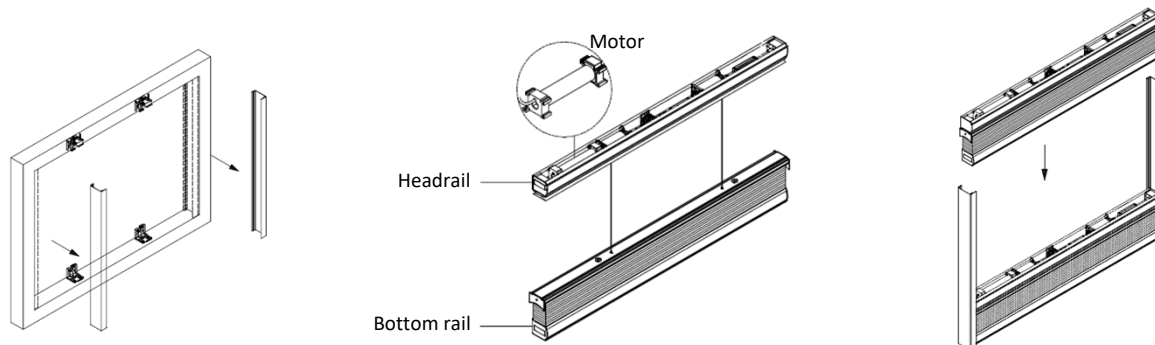


Motorized Skylight Cellular Shades

- Installation Guide

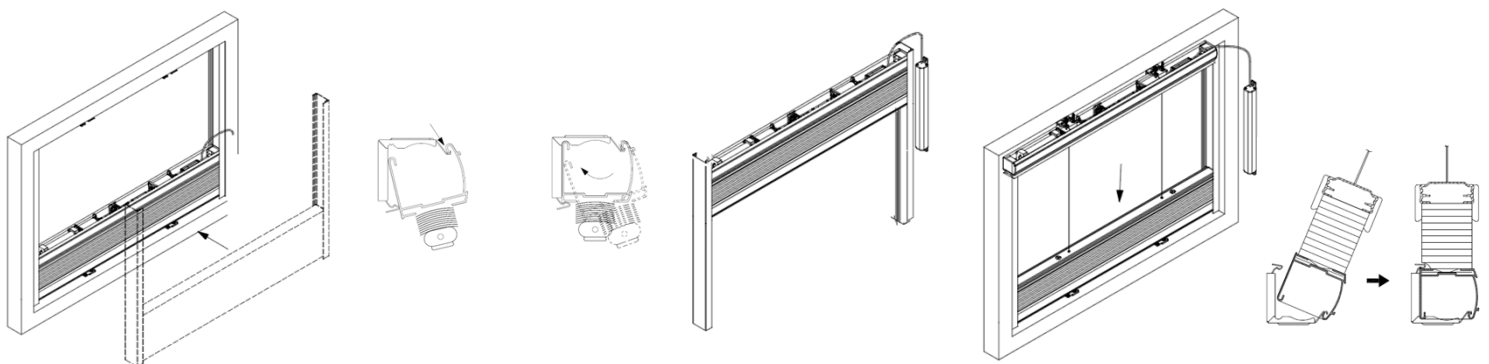
5. Assemble the skylight shade

- Remove the side rails from the window frame after installed the brackets.
- The headrail is the rail with the motor in it; the bottom rail is the rail with the fabric stack and the middle rail attached.
- Put the middle rail end caps into the side rail.
- Slide the window shade into the side rails, and then attached the middle rail end caps to the middle rail.



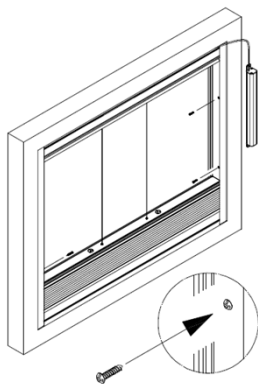
6. Mount the skylight shade to the brackets

- Pull the motor charging cord out from the headrail.
- Move the shade up to mount the headrail to the headrail brackets.
- Connect the motor charging cord to the battery.
- Use the remote to lower the middle rail and bottom rail down, and then mount the bottom rail to the bottom rail brackets



7. Fasten the screws for the side rails

- Fasten the screws to both side rails.



8. Installation is done.

- Mount the remote to the wall following the installation inside the remote box.

