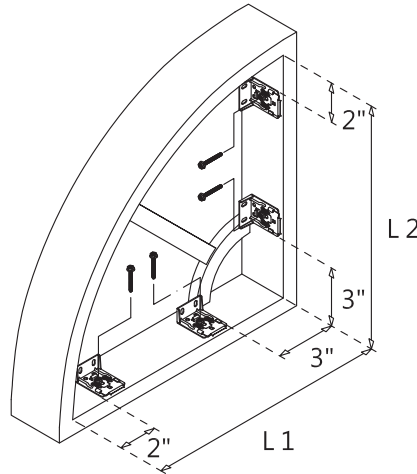
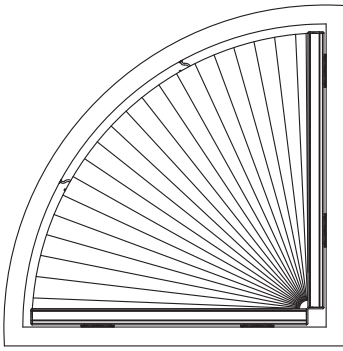


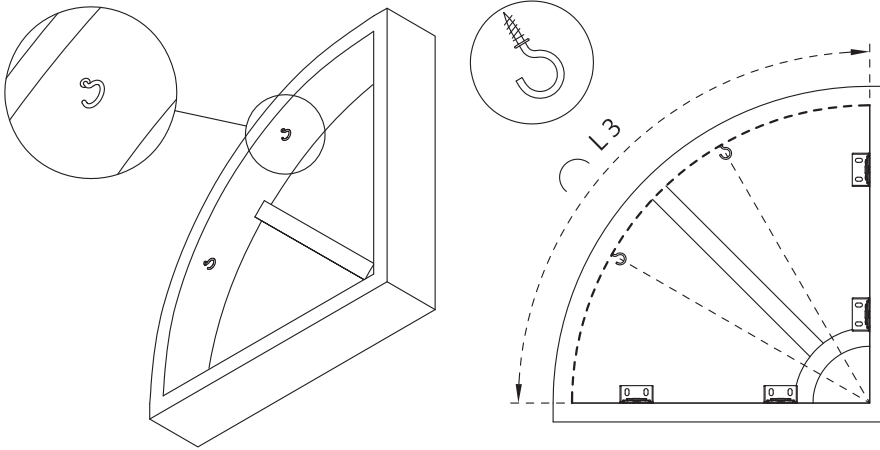
Cellular Quarter Arch Shade Installation Instructions



Quantities of the brackets	
Rail	Qty
Vertical rail (L2)	2
Horizontal rail (L1)	2

Quantities of the hook screws	
Width	Qty
9" ~ 16.9"	1
17" ~ 27.9"	2
28" ~ 38.9"	3
39" ~ 50"	4

Please separate the location of the hook screws evenly.



Adjust the location of the hook screw when needed.
Hook it to the cell area, not the junction between 2 cells.

