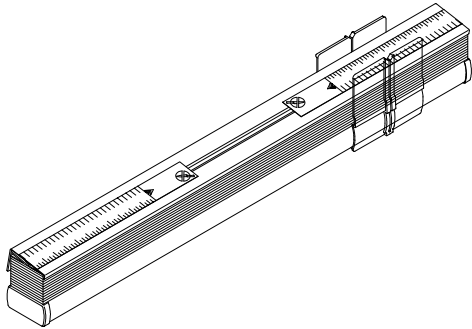


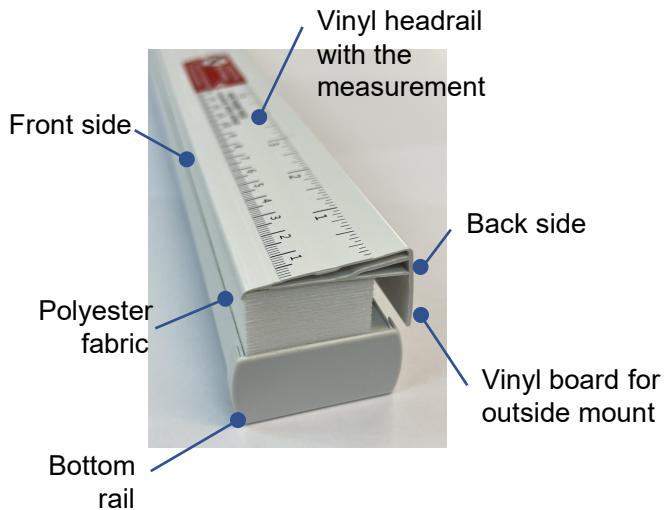
**PLEATED SHADE
INSTALLATION & USER GUIDE**



INSTALLATION WITHOUT TOOLS

1 WHAT IS INCLUDED:

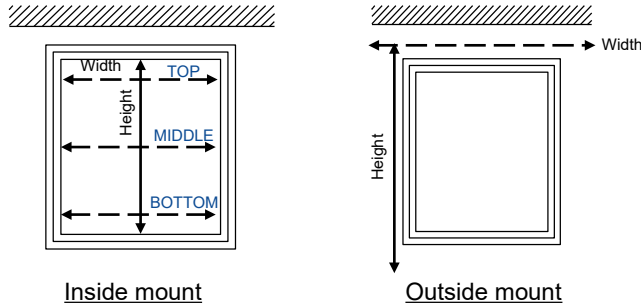
- The pleated shade with scale – 1 unit
- The double sided tape – 1 unit



2 MEASURE

Decide the mounting location. Use a metal tape to measure the width and height.

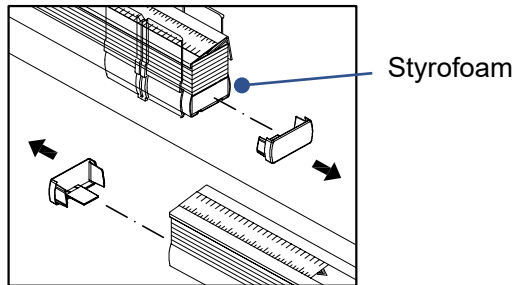
- For inside mount– Measure the window width at 3 locations, including top, middle, and bottom. Use the narrowest width minus 1/4" ~ 1/2" as your shade width.
- For outside mount– Measure the exact width of the area to be covered. The overlap is usually 1.5"~2" on each side.



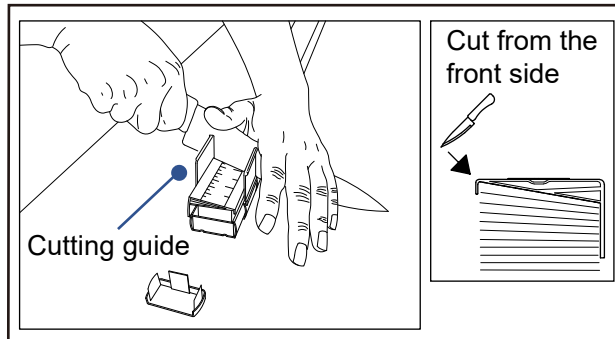
3 CUT THE SHADE CAREFULLY

A sharp kitchen knife is recommended.*

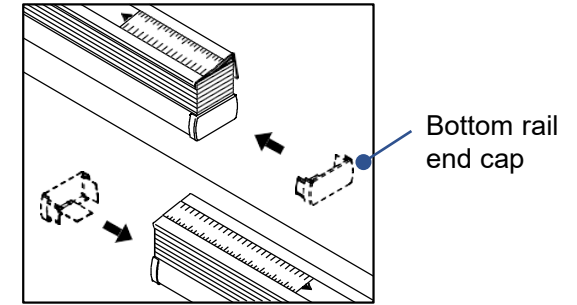
- Remove the end caps from each side of the bottom rail. Keep the Styrofoam inside the bottom rail when cutting the shade.



- Cut out the shade width equally from each side. Place the cutting guide at the location you want to trim out.



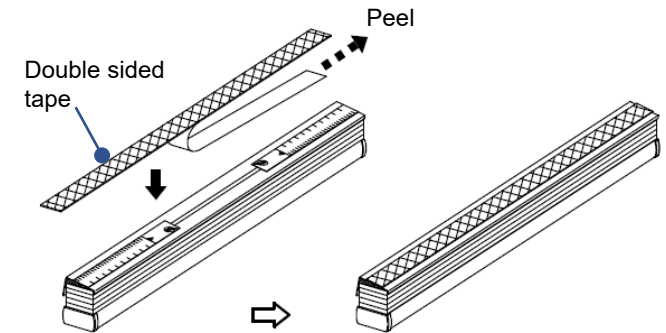
- Use a sharp kitchen knife to cut the shade through rails and fabric carefully with a rocking motion and constant pressure.
 - Repeat at another side.
- Note – Recommend to cut one side only when the trimmed width is less or equal to 1 inch.
- Put back the end caps to the bottom rail



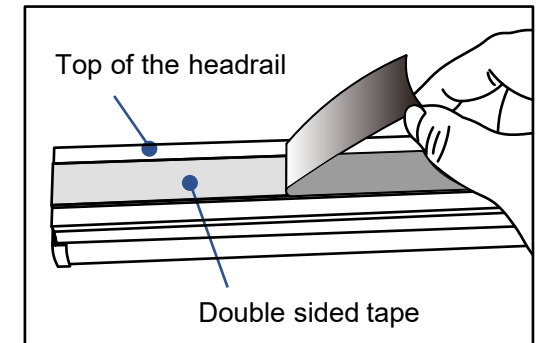
4 MOUNT THE SHADE

FOR INSIDE MOUNT

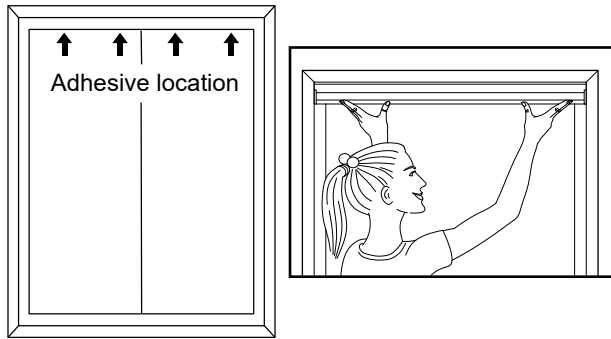
- Clean the mounting surface
- Apply the adhesive tape to the top of the headrail tightly.



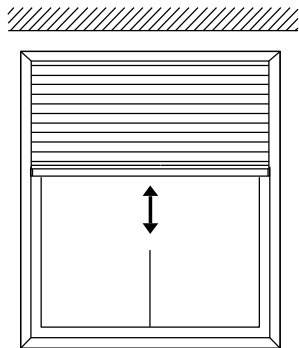
- Peel off the cover of the double sided tape.



- Firmly press the headrail to the top of the window frame and make sure it sticks tightly.

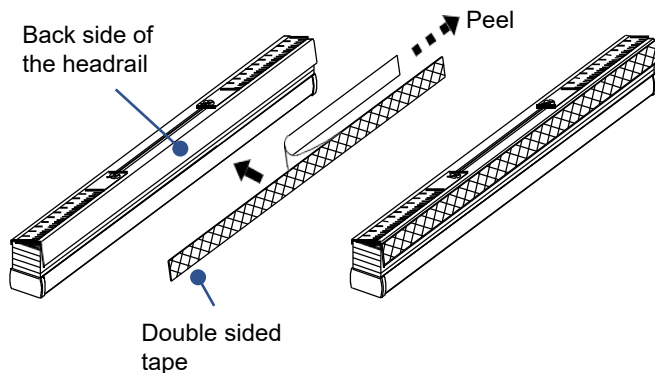


- Wait for 30 minutes before operating the shade.

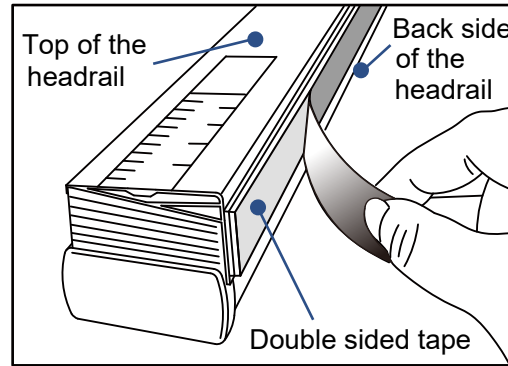


FOR OUTSIDE MOUNT

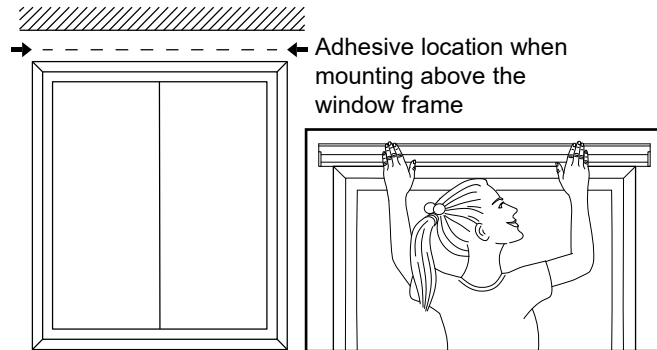
- Clean the mounting surface
- Apply the adhesive tape to the backside of the headrail tightly.



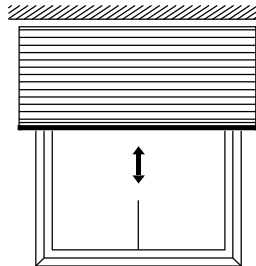
- Peel off the cover of the double sided tape.



- Press the headrail firmly to the place above the window frame. Ensure the shade is securely attached to the wall tightly.



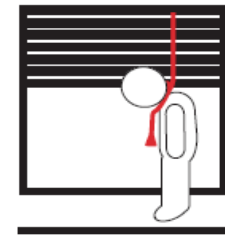
- Wait for 30 minutes before operating the shade



5 OPERATE THE SHADE

- Push the shade up with 2 hands to raise the shade up.
- Pull the shade down with 2 hands to lower the shade down

Follow all safety measures, procedures, and protections when using knives. We are not responsible for any injuries or damages caused by knives or users.



Window blind cord can STRANGLE your child. To prevent strangulation, purchase cordless products or products with inaccessible cords.

La cuerda de la persiana puede ESTRANGULAR a su niño. Para evitar el estrangulamiento, compre alternativas cuerda o productos con cuerdas inaccesibles.